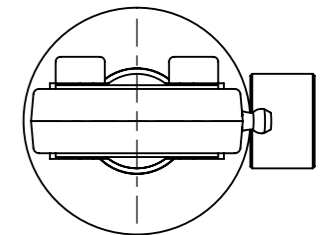
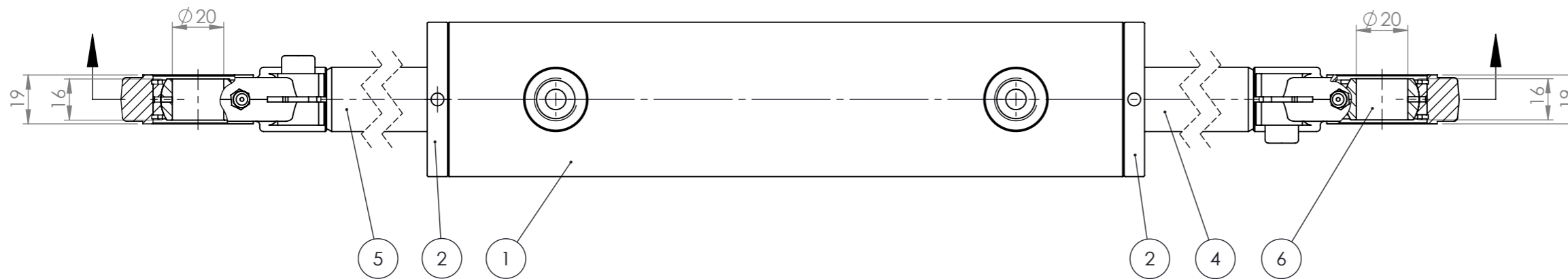
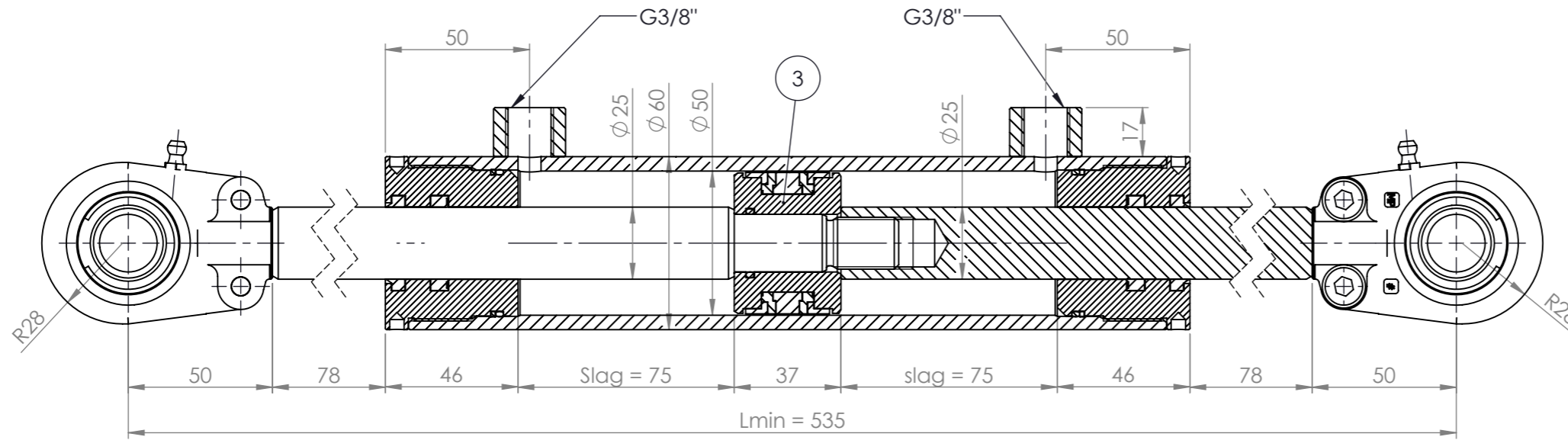


Rev no.	Description	Rev date	Rev applicant	Rev sign	Approved
01	"Dr" noter tilført på 2 stk. stempelstænger	26-09-2015	hs	hsa	hsa



Overfladebehandling:  
Affedning efterfulgt af sort grundmaling.

Ikke målsat tolerancer jf. DS/ISO 2768-v

Pakningssæt vises ikke i BOM liste

Pos:	Drawing no:	Item No:	Description	Qty.	Weight (kg)
1	2010138	Ej oprettet	Færdig cylinderør	1	1.762
2	1003361	KO-TH-050-025-01	Indskruningshoved 50/25	2	0.588
3	1002049	KO-PJ-050-020-01	Stempelhoved ø50 FA	1	0.440
4	2010140	Ej oprettet	Stempelstang 25mm #1	1	0.730
5	2010141	Ej oprettet	Stempelstang 25mm #2	1	0.912
6	1010098	AF-H-020-01	Ledleje Ø50 GIHR-K-DO M16x1,5	2	0.438

3D designer <b>HSAM</b>	3D Approved <b>Admin</b>	Drawing no. <b>2010137</b>	Date <b>16.09.2014</b>	Scale <b>1:2</b>	Size <b>A3</b>
2D drawing <b>hsa</b>	2D Approved <b>hs</b>	Note <b>87613213 - Borum Industri A/S</b>			
 <b>Dani-tech</b> www.dani-tech.com			Description <b>5025150A020A020 Spec L-min=535</b>		
			Item no. <b>CYL-0001586</b>		
Proprietary and confidential. The information contained in this drawing is the sole property of Dani-tech Support ApS. Any reproduction in part or as a whole without the written permission of Dani-tech Support ApS is prohibited.			Max Pressure <b>150 Bar</b>	Work temp. <b>0-70°C</b>	Weight (kg) <b>5.974</b>